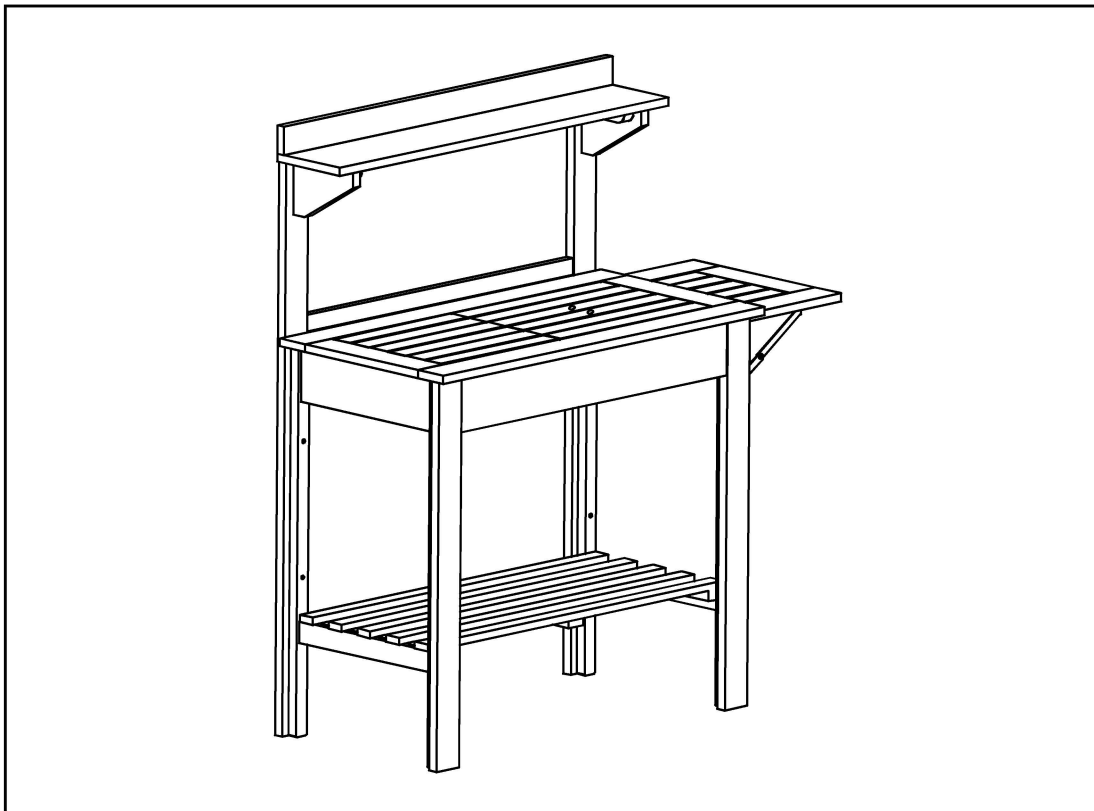


WORLD MARKET®

Assembly Instructions

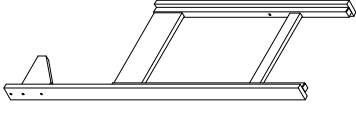
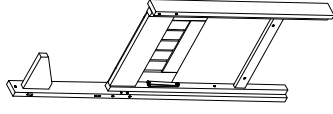
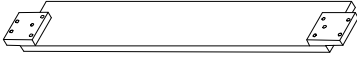




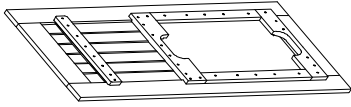
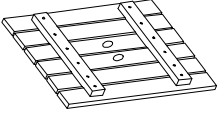
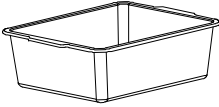
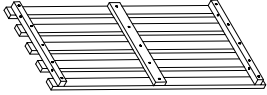
Potting Bench SKU – 484852







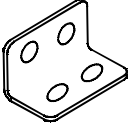
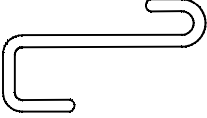

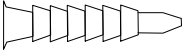
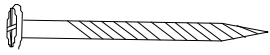

THANK YOU FOR PURCHASE.
IF YOU HAVE ANY QUESTIONS PERTAINING TO THE ASSEMBLY OF THIS
FURNITURE PIECE, PLEASE CONTACT THE NEAREST WORLD MARKET
STORE. IF YOU ARE NOT NEAR A STORE, PLEASE CALL OUR CUSTOMER
SERVICE CALL CENTER TOLL FREE AT 877-967-5362 FOR ASSISTANCE.

NOT FOR COMMERCIAL USE

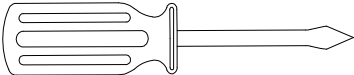
Component List

Label	Picture	Description	Qty
A		Left Panel	1
B		Right Panel	1
C		Bot. Horizontal Bar	2
D		Top Horizontal Bar	1
E		Lower Middle Horizontal Bar	1
F		Upper Middle Horizontal Bar	1
G		Top Shelf	1
H		Table Panel	1
I		Slat Panel	1
J		Plastic Sink	1
K		Bottom Shelf	1

Hardware List


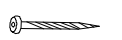


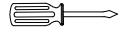
Label	Picture	Description	Qty
H-1		Allen Screws	8
H-2		Large Wood Screw	5
H-3		Small Wood Screw	16
H-4		Allen Bolt	6
H-5		Angle Bracket	4
H-6		Hook	4
H-7		Allen Key	1
H-8		Wall Anchor (<i>Anti-Tip Kit</i>)	2
H-9		Phillips head Screw (<i>Anti-Tip Kit</i>)	2
H-10		Flat Washer (<i>Anti-Tip Kit</i>)	2

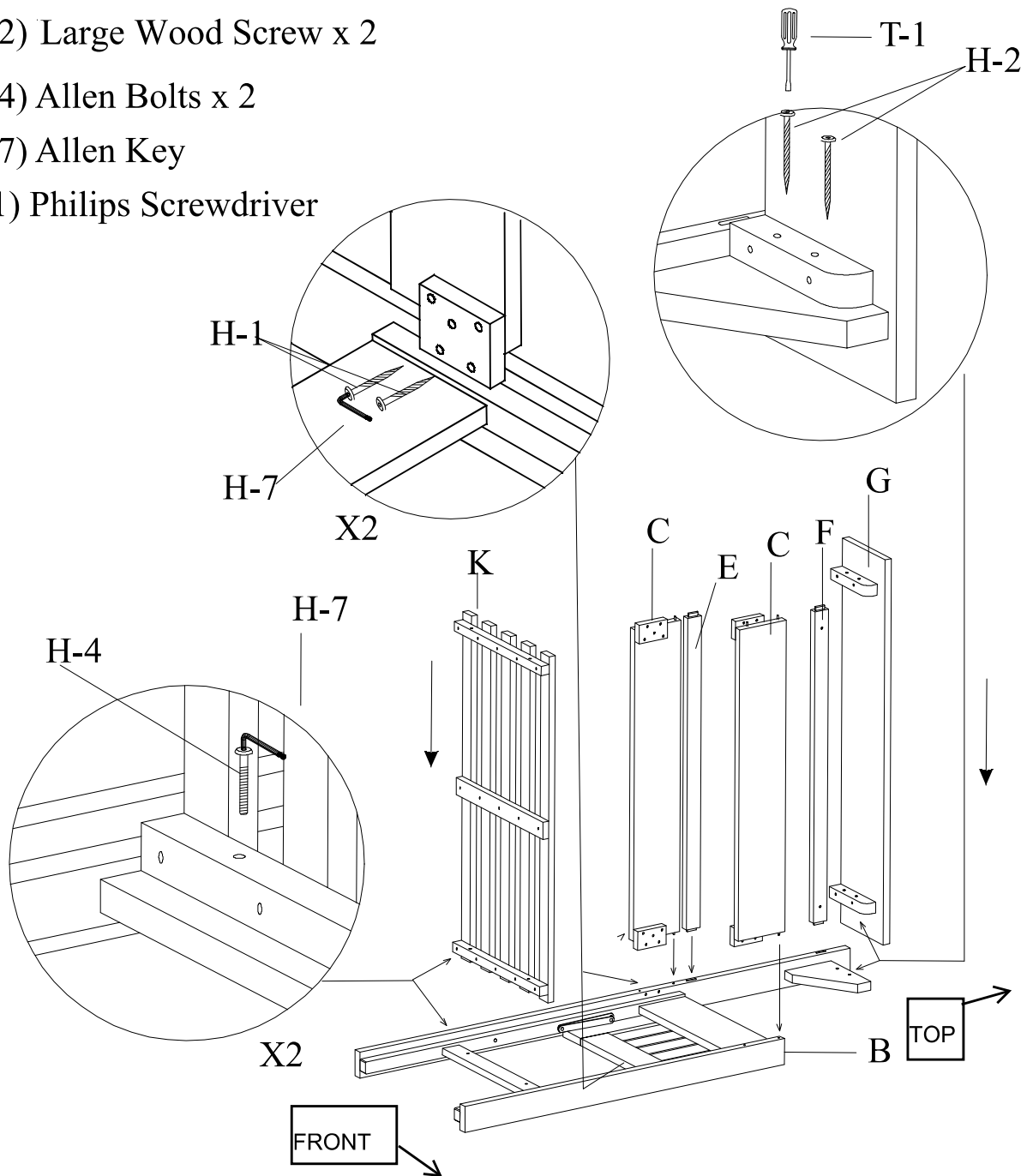
Tool List

Label	Picture	Description	Qty
T-1		Philips Screwdriver	Not Included

Assembly Steps

Step 1

-  (H-1) Allen Screws x 4
-  (H-2) Large Wood Screw x 2
-  (H-4) Allen Bolts x 2
-  (H-7) Allen Key
-  (T-1) Philips Screwdriver




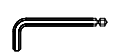
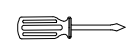


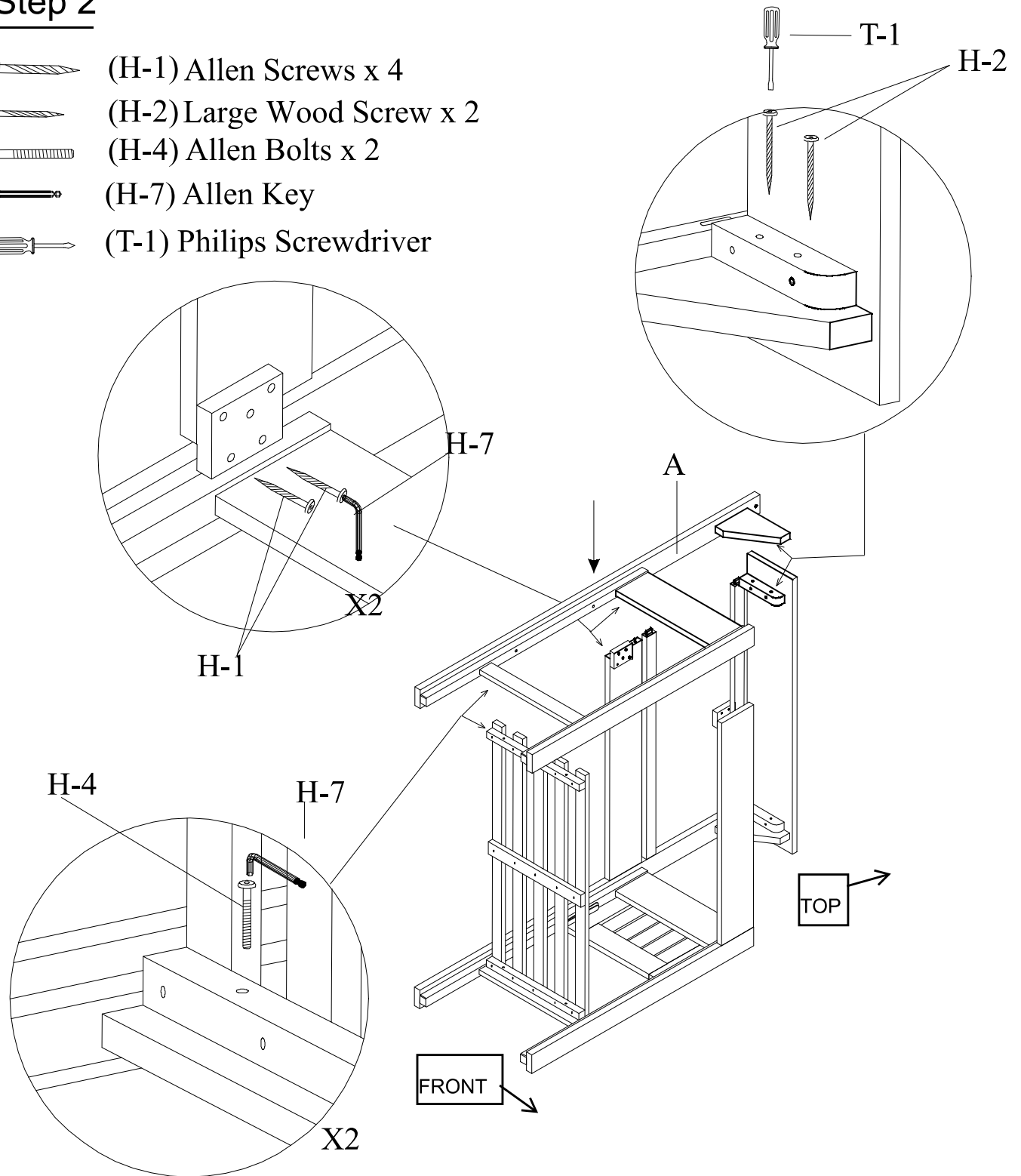
- Place Right Panel (B) down onto a padded, non-marring surface.
- Secure Top Shelf (G) to Right Panel (B) using Large Wood Screws (H-2) and a Phillips Screwdriver (T-1) (not included).
- Secure Upper Middle Horizontal Bar (F) and Lower Middle Horizontal Bar (E) to Right Panel (B) as shown.
- Secure Horizontal Bars (C) at the front and back of Right Panel (B) as shown. Note the connection blocks at the edges of each Horizontal Bar (C) should face inwards towards each other. Secure both using Allen Screws (H-1) and Allen Key (H-7).
- Secure Bottom Shelf (K) to Right Panel (B) using Allen Bolts (H-4) and Allen Key (H-7).

NOTE: Engage all screws and bolts by hand, but do not fully tighten them yet.

Assembly Steps

Step 2

-  (H-1) Allen Screws x 4
-  (H-2) Large Wood Screw x 2
-  (H-4) Allen Bolts x 2
-  (H-7) Allen Key
-  (T-1) Phillips Screwdriver




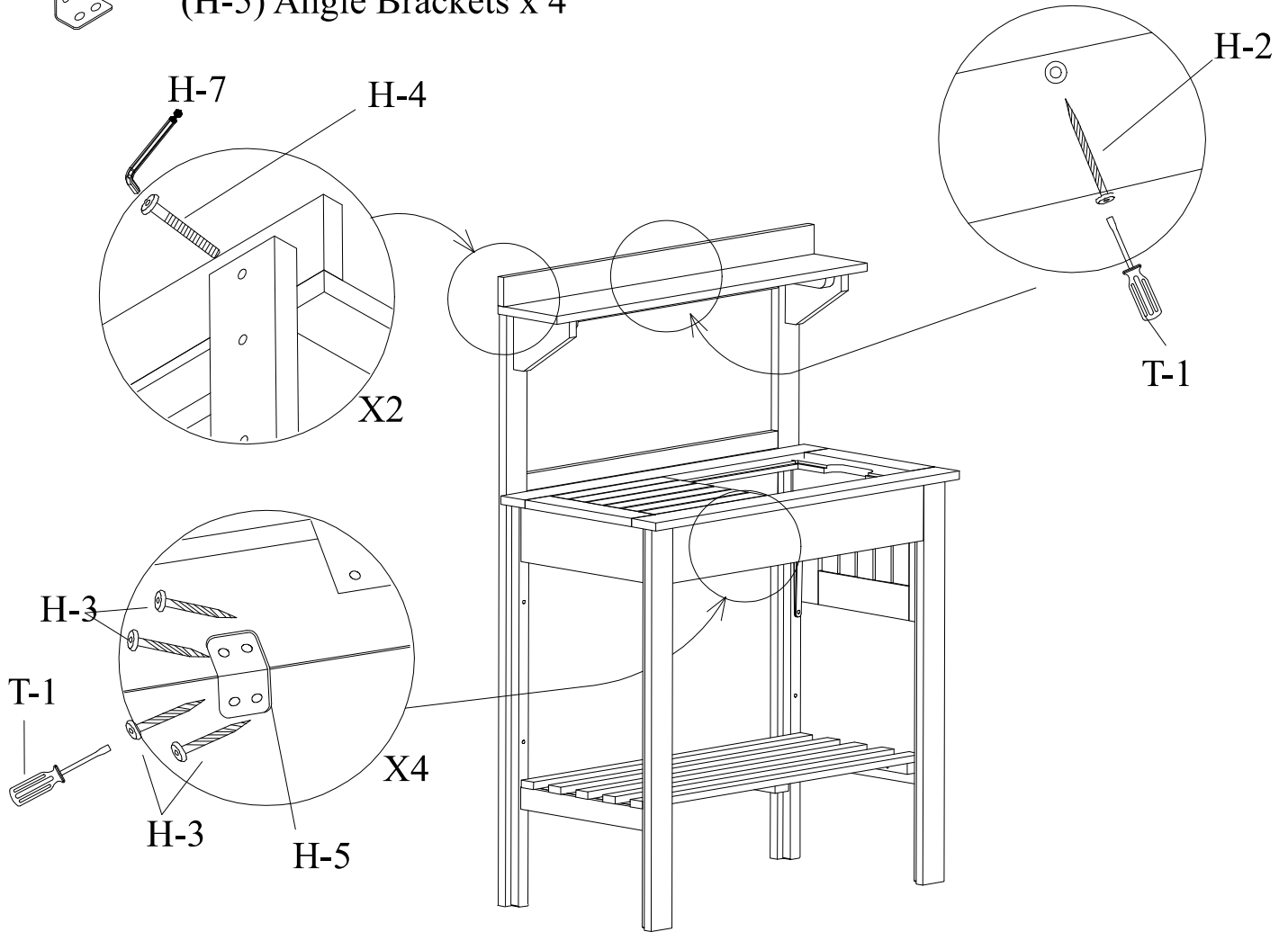
- Secure Left Panel (A) to the assembly from Step 1 as shown. Secure the top using 2 Large Wood Screws (H-2) and a Phillips Screwdriver (T-1) (not included).
- Secure Left Panel (A) to both Horizontal Bars (C) using 4 Large Allen Screws (H-1).
- Secure the bottom to Bottom Shelf (K) using 2 Allen Bolts (H-4) and Allen Key (H-7).

NOTE: Engage all screws and bolts by hand, but do not fully tighten them yet.

Assembly Steps

Step 3

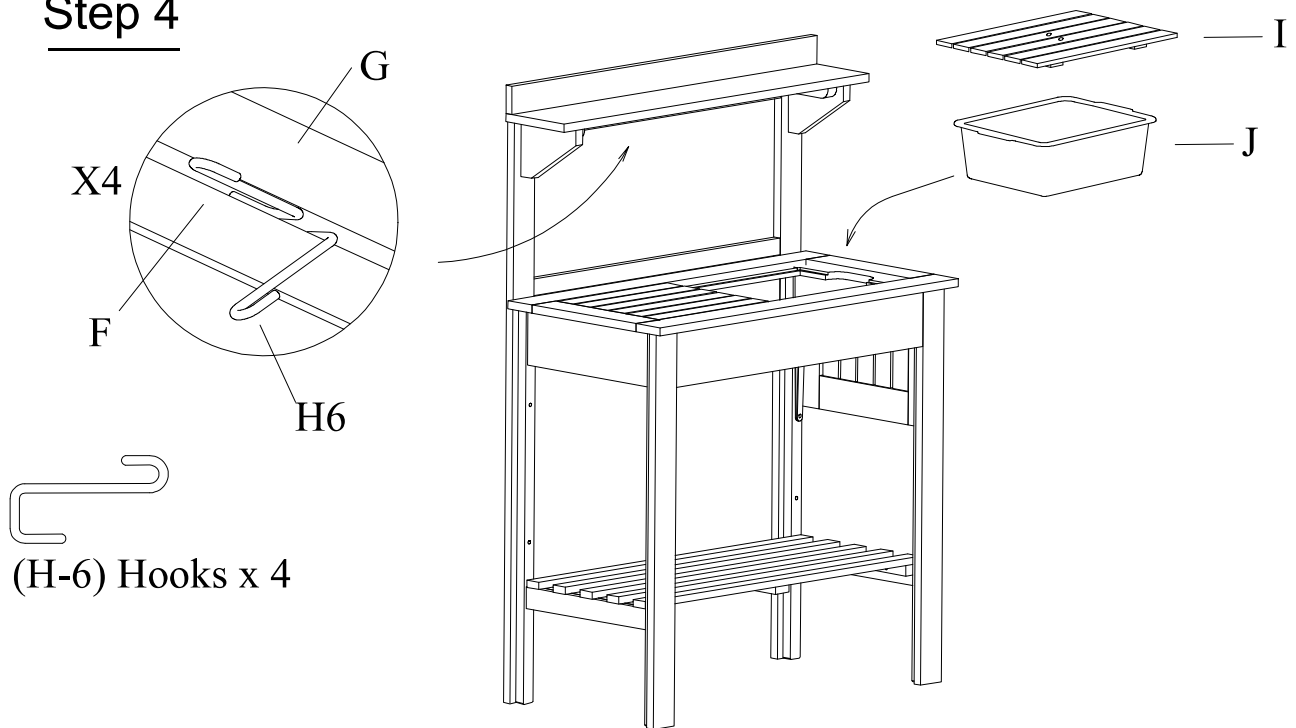
-  (H-3) Small Wood Screw x 16
-  (H-4) Allen Bolts x 2
-  (H-2) Large Wood Screw x 1
-  (H-7) Allen Key
-  (T-1) Phillips Screwdriver
-  (H-5) Angle Brackets x 4



- Using a second person to assist you, turn the assembly from Step 2 upright as shown.
- Secure 4 Angle Brackets (H-5) to the underside of Top Panel (H) using 4 Small Wood Screws (H-3) per bracket and a Phillips Screwdriver (T-1) (not included).
- Secure Top Horizontal Bar (D) using 2 Allen Bolts (H-4) and Allen Key (H-7).
- Secure the underside of Top Panel (G) using 1 Large Wood Screw (H-2) and a Phillips Screwdriver (T-1).
- **FULLY TIGHTEN all allen bolts and screws from Steps 1-3 at this time.**

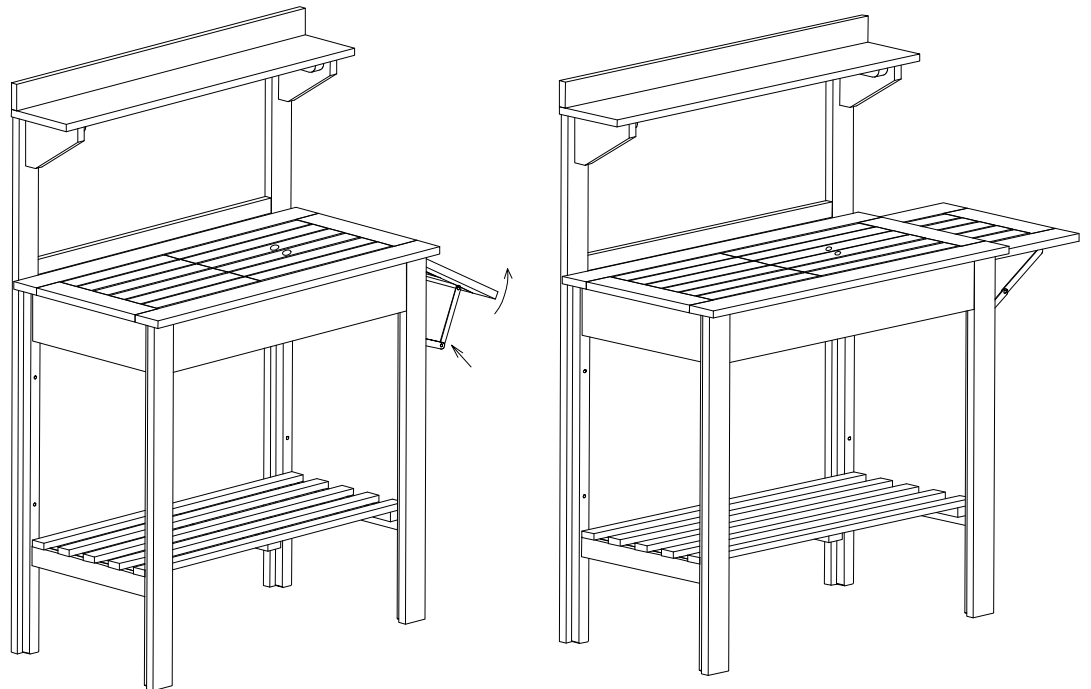
Assembly Steps

Step 4



- Place Plastic Sink (J) into position on Table Panel (H) as shown.
- Slat Panel (I) can be placed into Table Panel (H) and over the top of Plastic Sink (J).
- Place the 4 Hooks (H-6) over the Upper Middle Horizontal Bar (F) as shown.

Step 5



- The folding side shelf may be opened by lifting up on the shelf edge until the hinge has fully engaged.
- Ensure that all screws and bolts have been fully tightened. Assembly is now complete and the Potting Bench is ready for use.
- See Page 9 for Anti-Tip Measure installation info.

Anti-Tip Measures

The included Anti-Tip Kit is only a deterrent, it is not a substitute for proper adult supervision. Manufacturer or retailer assumes no liability for improper installation or excessive loads placed on screws, brackets or straps. When properly installed, this restraint could provide protection against the unexpected tipping of furniture. This Anti-Tip kit restraint **MUST** be installed into a wall stud using the proper mounting hardware. The hardware provided is not a comprehensive solution for all wall types. Be sure to consult a professional or your local hardware store to determine the hardware needed for your specific wall type (plaster, drywall, concrete, etc.).



(T-1) Philips Screwdriver



(H-8) Wall Anchor (*Anti-Tip Kit*) x 2

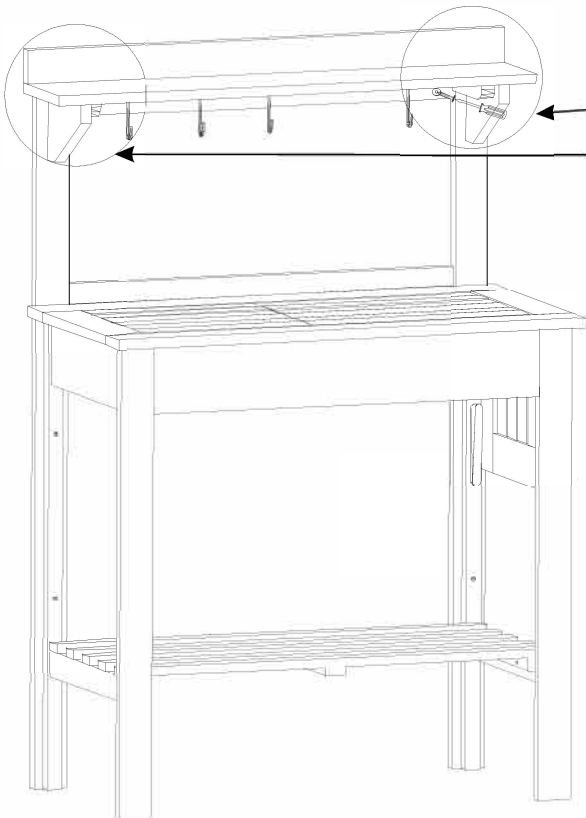
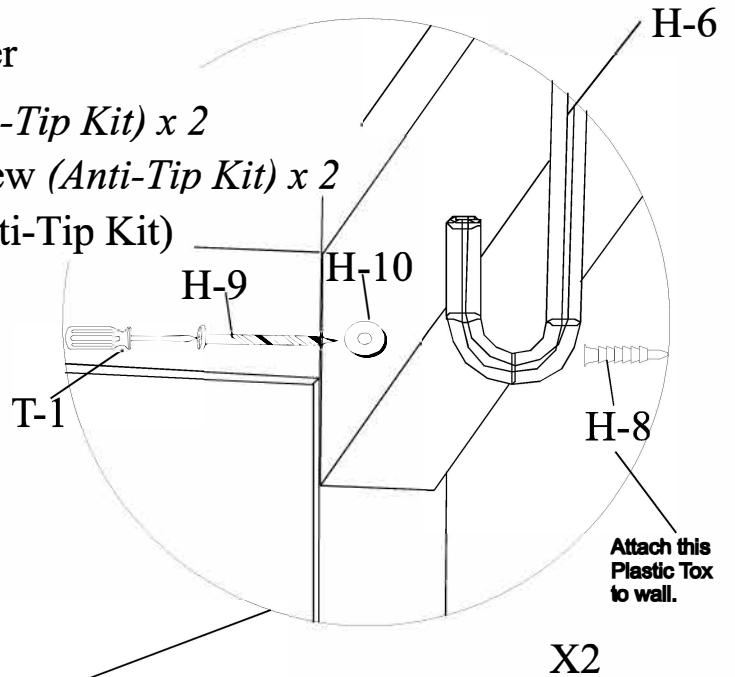


(H-9) Phillips head Screw (*Anti-Tip Kit*) x 2



(H-10) Flat Washer (*Anti-Tip Kit*)

Anti-tip Kit contents



Anti-tip Kit installation



WARNING

Do not allow children to climb on furniture.
Unit can tip over and cause serious or fatal injury.

Do not overload shelf.
Do not place heavy objects in the shelf.
Do not place heavy objects on top of the unit.

Care & Maintenance



- Do not put hot items directly on furniture surface.



- Do not clean furniture with harsh cleansers or polish.



- Do not place furniture near heating or cooling vents.



- Do not write on furniture without a padded barrier to protect the surface.



- Not for commercial use. For residential use only.



- Store furniture or use an appropriate furniture cover during cold or inclement weather.



- Dust and pick-up spills using a clean, non-colored, lint-free cloth.



- Stains may be removed with mild soap solution and damp cloth.

CAUTION: As with any wood, the color may fade if left in direct sunlight or inclement weather. Minor cracking may occur with age. These are naturally occurring features of wood and do not affect product performance.

We recommend using our Outdoor Wood Furniture Finish sold separately to help preserve and protect the wood and finish.